

CPG(H)

1 & 2HP
GRINDER

Every pump tested in water to ensure pump meets head and flow requirements.



FEATURES/BENEFITS

PERFORMANCE

Heads up to 133' TDH
Flows up to 44 GPM

MOTOR

Internal capacitor run 115v or 208-230v, oil filled motors with upper and lower ball bearings and thermal overload protection.

- Constant bearing lubrication
- Maximum motor cooling
- Runs cooler and lasts longer
- Internal overload protection
- Quiet operation
- Fasteners and shaft made from rugged, corrosion resistant stainless steel

SEAL DESIGN

Single, mechanical, running in oil filled chamber allowing dry run and cooling

IMPELLER DESIGN

Non-clog style, cast-iron vortex impeller

- Designed to generate higher heads and reduce clogging by foreign materials
- Provides non-overloading performance

CUTTER ASSEMBLY

440 SST (56-60 Rockwell)

- 24,000 cuts per second and 1.5 million cuts a minute
- Designed to reduce over loading and clogging

POWER CORD

Sealed entry quick disconnect power cords

- Prevents water from entering the motor housing through a cut cord
- Easy to replace in the field without having to run a new power cord
- Available in lengths up to 100'

SWITCH

Piggy-back switch design

- Defective switches can be diagnosed over the phone
- Pump can be operated manually or supplied with other piggy-back switches
- Switch can be replaced

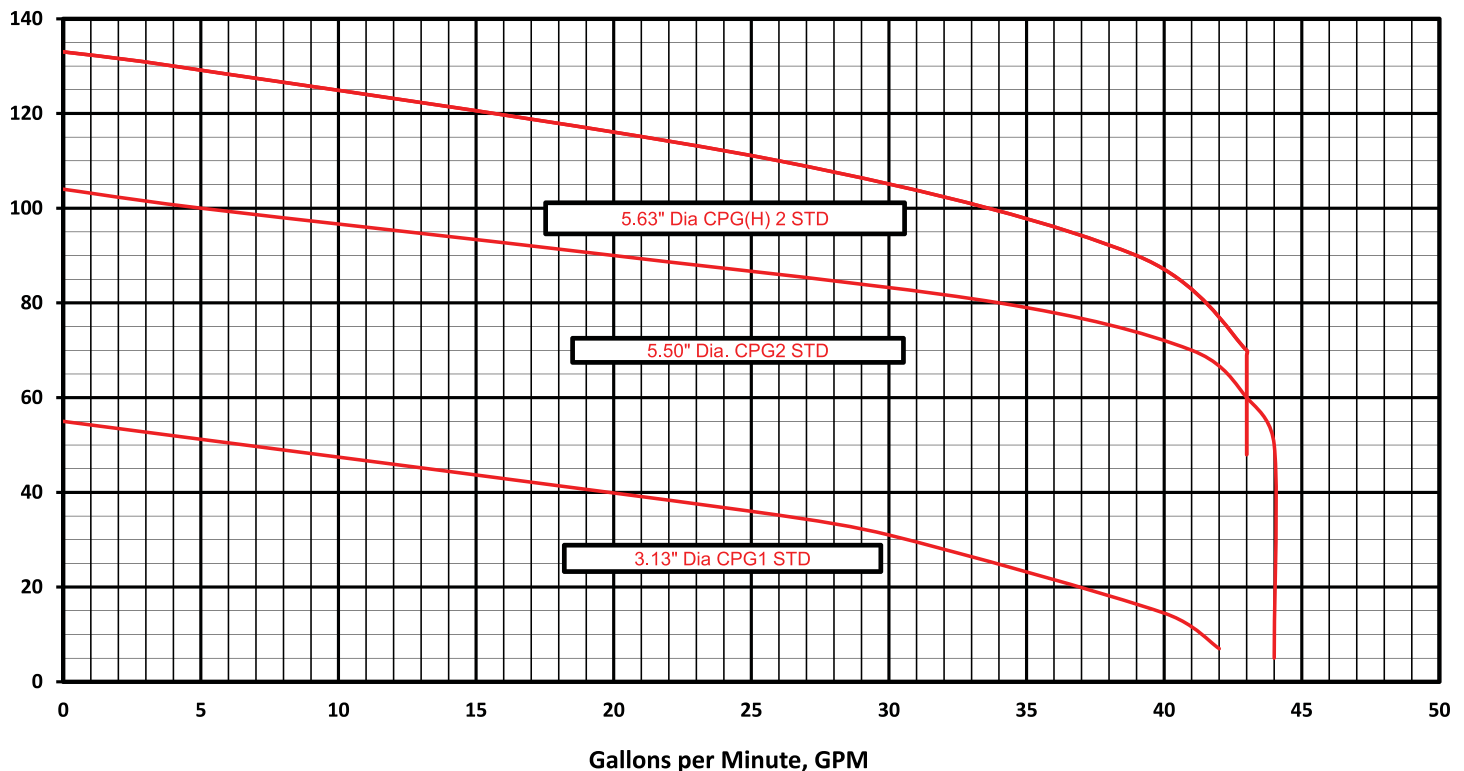
APPLICATIONS

Residential developments, commercial developments and wastewater applications



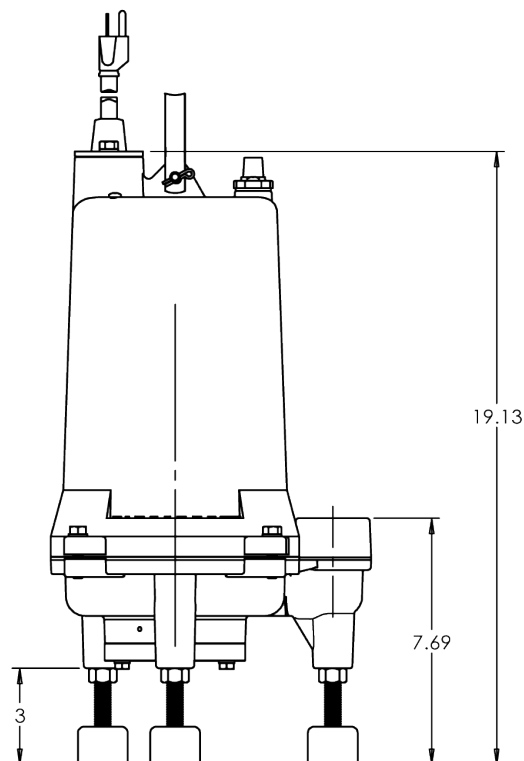
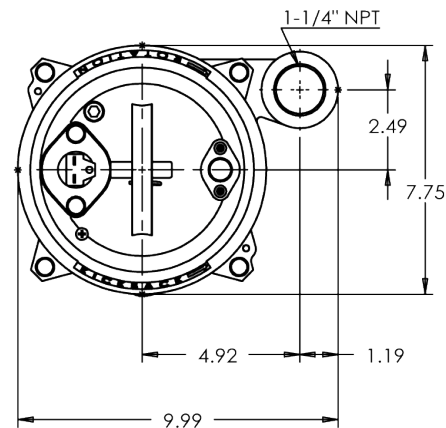
1 & 2 HP grinder pumps that have a 1 1/4" vertical discharge (optional 2" adapter available), and can grind up to 3" solids, and be installed on a rail system or with the supplied legs

PERFORMANCE CURVE



TECHNICAL DATA

DISCHARGE	1 1/4" NPT. Vertical standard or optional 2"
LIQUID TEMPERATURE	140 Degrees F. (Intermittent)
MOTOR HOUSING	Cast Iron
VOLUTE	Cast Iron
SEAL PLATE	Cast Iron
IMPELLER	Cast Iron / Vortex
SOLIDS HANDLING	3"
SHAFT	Stainless Steel
SEAL PLATE	Cast Iron
SHAFT SEAL (SINGLE SEAL)	Single Mechanical, Carbon-Rotating Face, Ceramic-Stationary Face, Buna-N Elastomer, 300 Series Stainless Steel Hardware
BEARINGS (UPPER & LOWER)	Single Row, Ball, Oil Lubricated
HARDWARE	300 Series Stainless Steel
O-RINGS	Buna-N
CORD	10' Length standard. Up to 30' with plug and 100' without plug (UL/CSA) (SO) 14 AWG (.375 OD), Type SJOW * UL/CSA (SO) 14 Ga. (.60 OD) Up to 100' Available
MOTOR (SINGLE PHASE)	1 or 2 HP 3450 RPM. 60Hz, Includes Over-load Protection in the Motor. Oil Filled, Class F Permanent Split Capacitor
WEIGHT	78 lbs. (Manual)



MODEL(S) INFORMATION

MODEL	HP	VOLTS	PHASE	AMPS	CORD LENGTH	SWITCH	REQUIRES PANEL
CPG1011	1	115	1	13	10'	Manual	No
CPG1012	1	115	1	13	10'	Manual	No
CPG1011A	1	115	1	13	10'	Wide-Angle Float	No
CPG1012A	1	115	1	13	20'	Wide-Angle Float	No
CPG1011V	1	115	1	13	10'	Vertical Float	No
CPG1012V	1	115	1	13	20'	Vertical Float	No
CPG1022A	1	208-230	1	6.5	20'	Wide-Angle Float	No
CPG1022A	1	208-230	1	6.5	20'	Wide-Angle Float	No
CPG(H)2021	2	208/230	1	15	10'	Manual	No
CPG(H)2022	2	208/230	1	15	20'	Manual	No
CPG(H)2021(A)	2	208/230	1	15	10'	Wide-Angle Float	No
CPG(H)2022(A)	2	208/230	1	15	20'	Wide-Angle Float	No