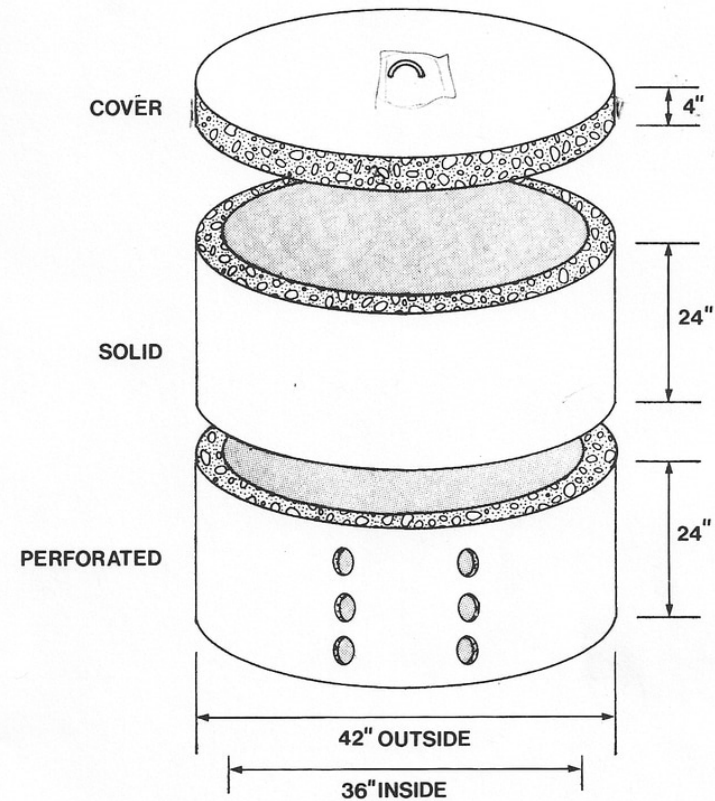


# STORAGE CAPACITIES FOR CONCRETE SPRING TILE

Height In Feet	4' I.D. Tile	3' I.D. Tile
1	94	53
2	188	106
3	282	159
4	376	212
5	470	265
6	564	318
7	658	371
8	752	424
9	846	477
10	940	530
11	1034	583
12	1128	636
13	1222	689
14	1316	742
15	1410	795



## 36" SPRING TILE

- Precast with 6x6 10 gage wire mesh.
- Tile can be stacked to obtain desired height.
- Side walls 3" thick.
- Weight per section 595 lbs.
- Cover weight 388 lbs.