

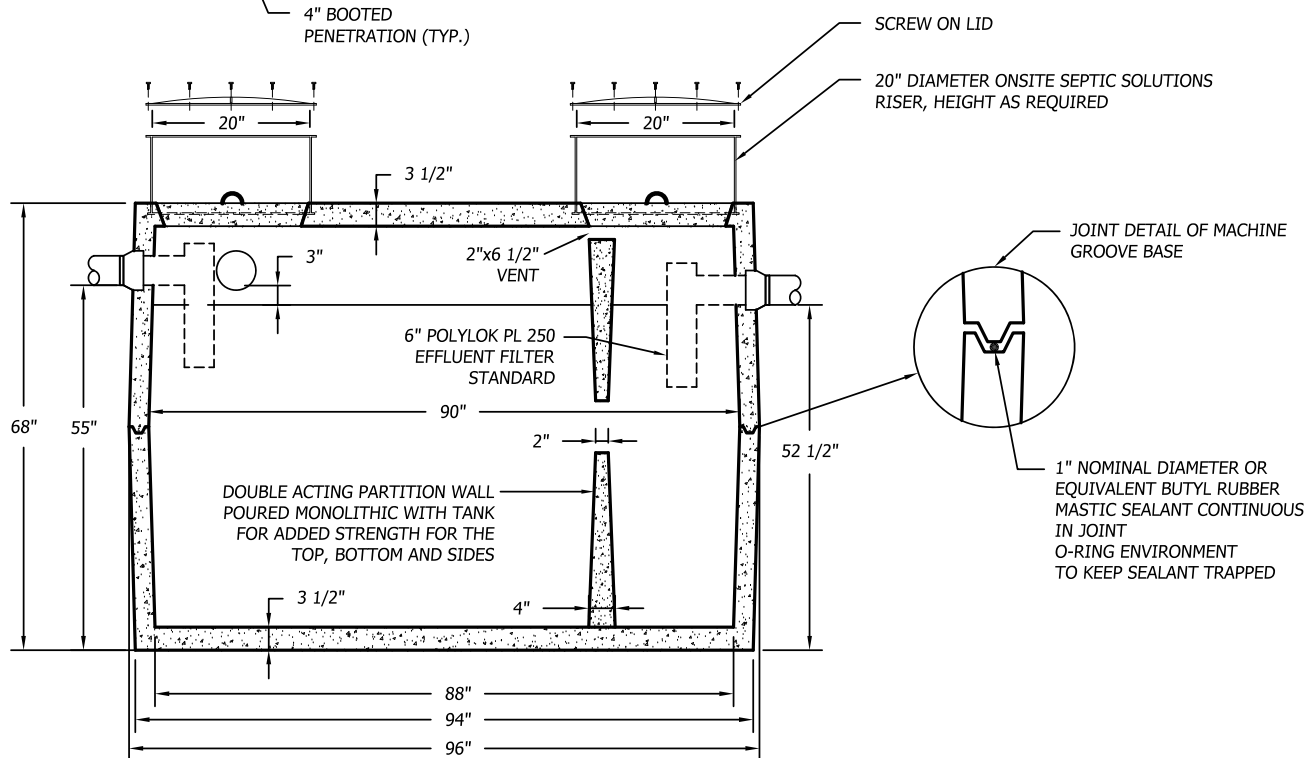
**PLAN**

**SPECIFICATIONS:**

1. THE SEPTIC TANK MUST BE EQUIPED WITH AN EFFLUENT FILTER THAT HAS BEEN TESTED AND SHOWN TO PREVENT THE PASSAGE OF SOLIDS LARGER THAN  $\frac{1}{8}$  INCH.
2. CAPACITY = 1,039 GALLONS WITH 12" AIR SPACE
3. FULL CAPACITY = 1,294 GALLONS
4. GALLONS PER INCH = 21.22 (AVERAGE)
5. WEIGHT = 9,400 POUNDS
6. MAXIMUM OF 3 FEET OF COVER
7. TANK TO MEET ASTM 1227C REQUIREMENTS
8. MID SEAM CONSTRUCTION
9. JOINT SEALANT IS BUTYL RUBBER MASTIC TYPICAL OF CONSEAL CS-102.
10. NOT DESIGNED FOR TRAFFIC AREAS
11. ALL DIMENSIONS SHOW ARE PER ONSITE SEPTIC SOLUTIONS, LLC PRODUCTS 2017.

**SPECIAL NOTE:**

THIS TANK IS VACUUM TESTED PER ASTM 1227C STANDARDS AT ON-SITE SEPTIC SOLUTIONS, LLC PRODUCTS PRIOR TO BEING SHIPPED.



**SECTION**



**VACUUM TESTED 1,000 GALLON 2 COMPARTMENT MID SEAM PRECAST CONCRETE SEPTIC TANK**

1/2"=1'-0'

BUSINESS PARK AT CAMBRIDGE  
CAMBRIDGE, VT. 05444  
paul@onsitesepanticsolutions.biz  
TEL. 802-644-5500