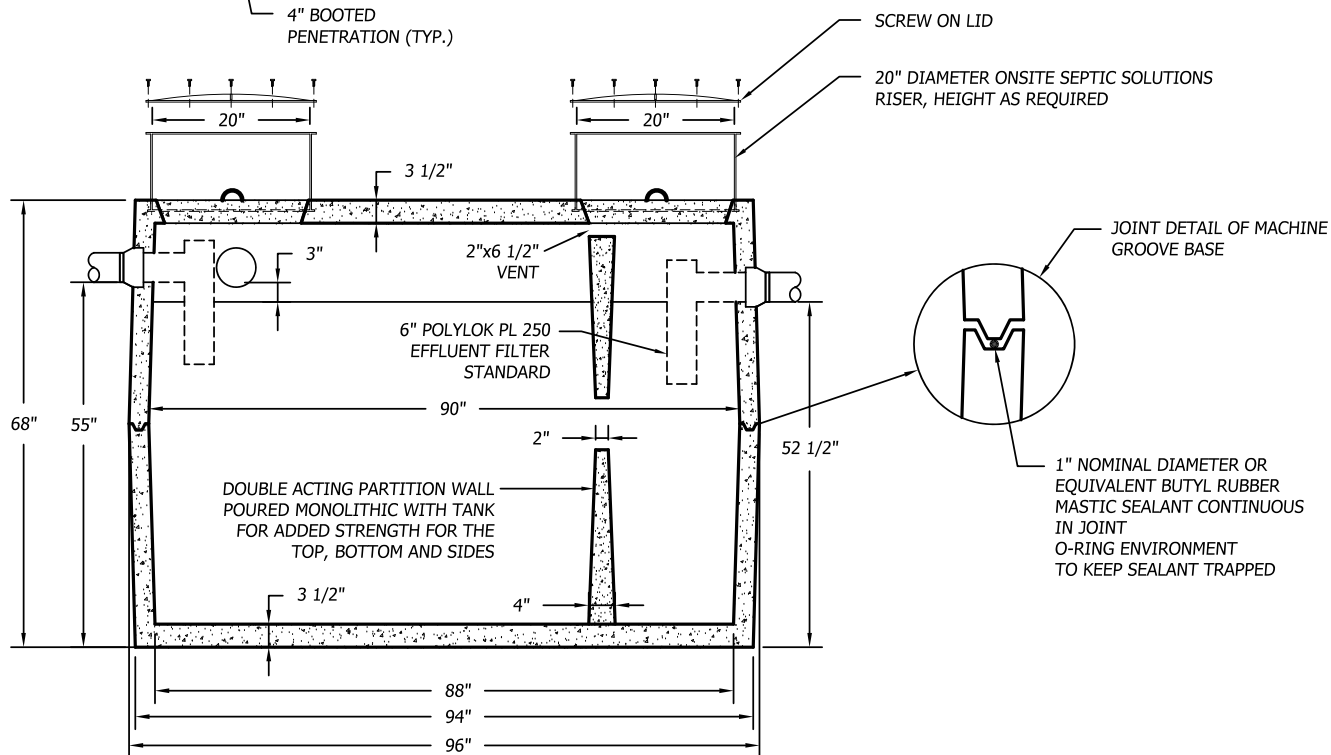


PLAN

SPECIFICATIONS:

1. THE SEPTIC TANK MUST BE EQUIPPED WITH AN EFFLUENT FILTER THAT HAS BEEN TESTED AND SHOWN TO PREVENT THE PASSAGE OF SOLIDS LARGER THAN $\frac{1}{8}$ INCH.
2. CAPACITY = 1,039 GALLONS WITH 12" AIR SPACE
3. FULL CAPACITY = 1,294 GALLONS
4. GALLONS PER INCH = 21.22 (AVERAGE)
5. WEIGHT = 9,400 POUNDS
6. MAXIMUM OF 3 FEET OF COVER
7. TANK TO MEET ASTM 1227C REQUIREMENTS
8. MID SEAM CONSTRUCTION
9. JOINT SEALANT IS BUTYL RUBBER MASTIC TYPICAL OF CONSEAL CS-102.
10. NOT DESIGNED FOR TRAFFIC AREAS
11. ALL DIMENSIONS SHOW ARE PER ONSITE SEPTIC SOLUTIONS, LLC PRODUCTS 2017.



SECTION

1,000 GALLON 2 COMPARTMENT MID SEAM PRECAST CONCRETE SEPTIC TANK

1/2"=1'-0"



BUSINESS PARK AT CAMBRIDGE
CAMBRIDGE, VT. 05444
paul@onsite-septic.com
TEL. 802-644-5500