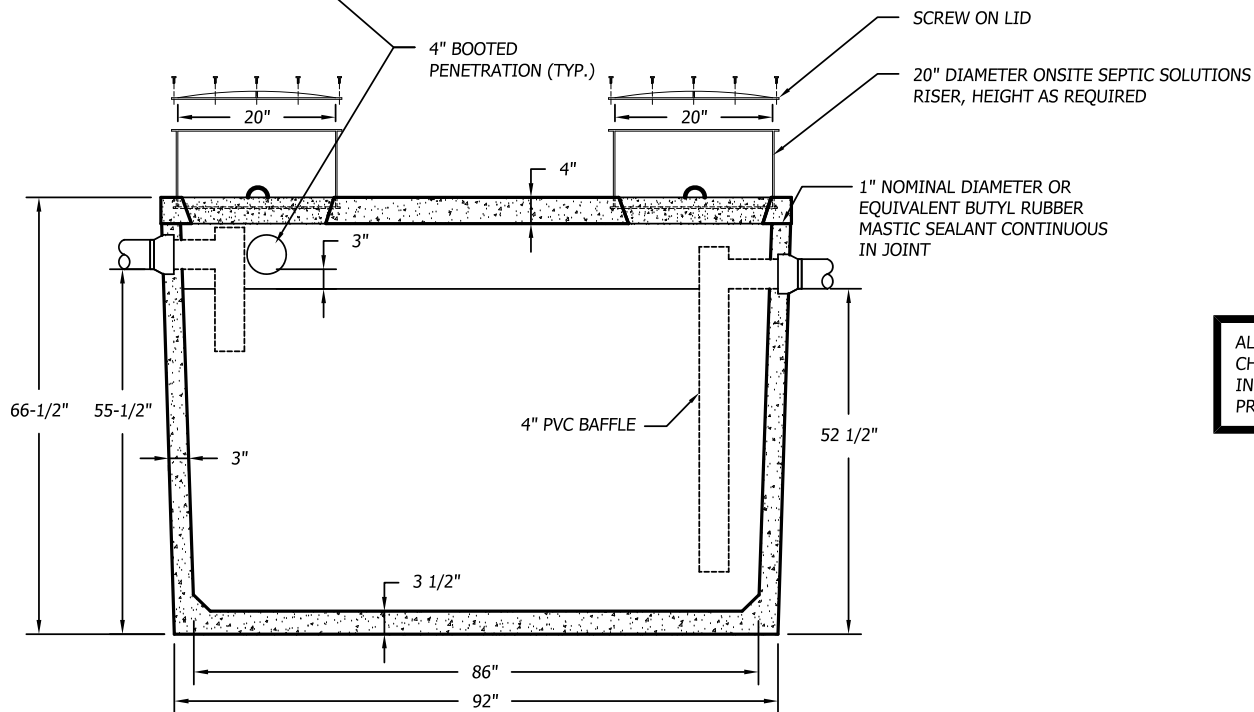


TOP



SECTION

SPECIFICATIONS:

1. CAPACITY = 1,008 GALLONS
2. FULL CAPACITY = 1,213 GALLONS
3. GALLONS PER INCH = 20.55 (AVERAGE)
4. WEIGHT = 8,280 POUNDS
5. MAXIMUM OF 3 FEET OF COVER
6. TANK TO MEET ASTM 1227C REQUIREMENTS
7. TOP SEAM CONSTRUCTION
8. JOINT SEALANT IS BUTYL RUBBER MASTIC TYPICAL OF CONSEAL CS-102.
9. NOT DESIGNED FOR TRAFFIC AREAS
10. ALL DIMENSIONS SHOW ARE PER ONSITE SEPTIC SOLUTIONS, LLC PRODUCTS 2017.

ALL TANKS TO BE PER SPECIFIED DETAIL OR EQUAL. ANY CHANGES TO BE APPROVED BY DESIGNER PRIOR TO INSTALLATION. NO SUBSTITUTES WILL BE ACCEPTED WITHOUT PRIOR APPROVAL.

1,000 GALLON TOP SEAM PRECAST CONCRETE GREASE TRAP

1/2" = 1'-0"



BUSINESS PARK AT CAMBRIDGE
CAMBRIDGE, VT. 05444
paul@onsitesepanticsolutions.biz
TEL. 802-644-5500